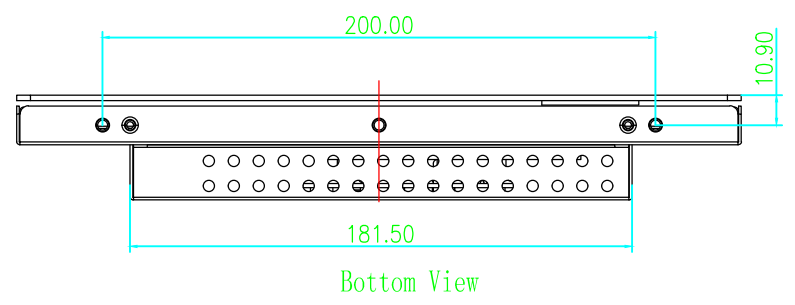
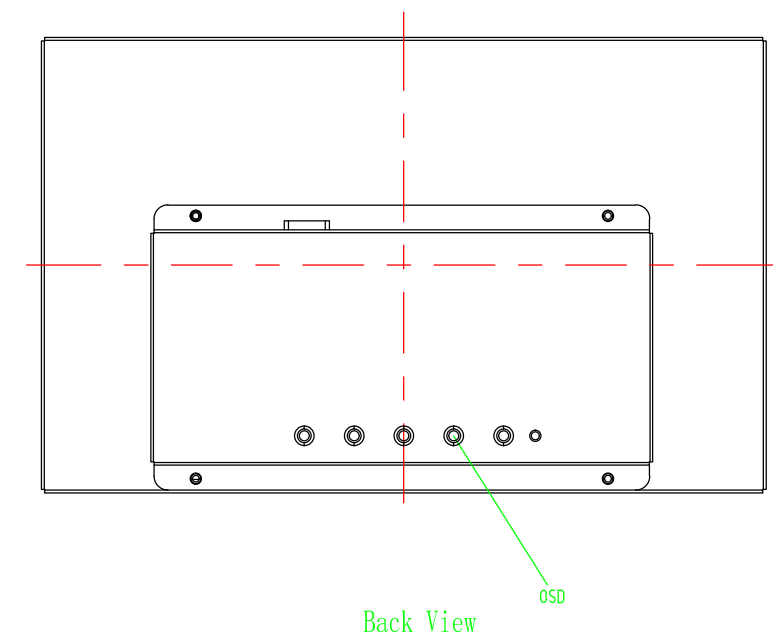
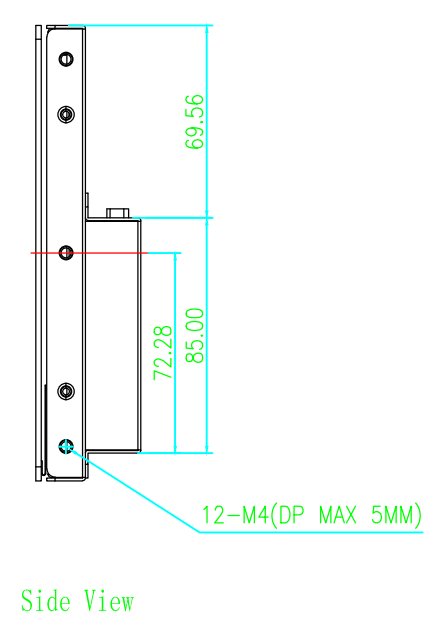
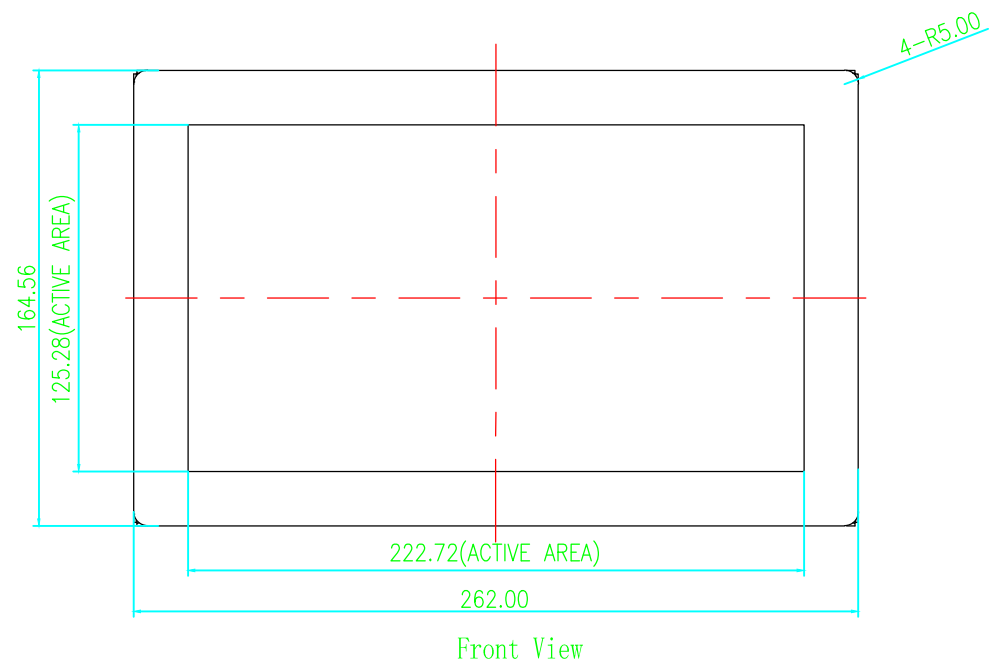
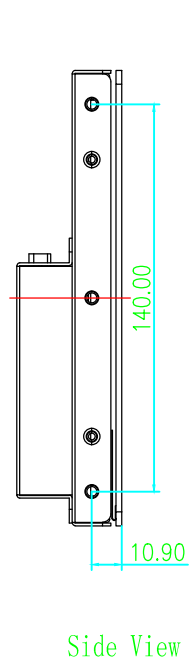
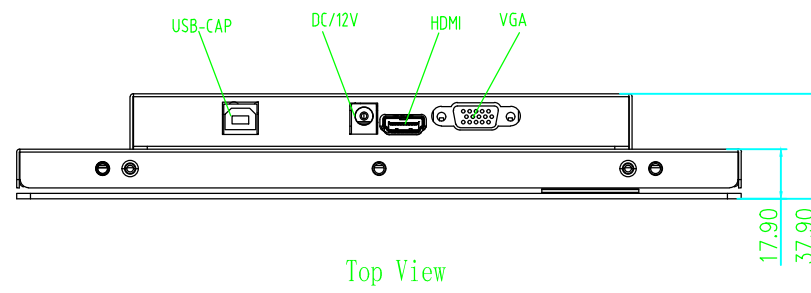


TITLE: H1015PW1-UH



DIMENSIONS ARE IN MILLIMETERS



Tolerance: $\pm 1.0\text{mm}$

DATE: 2019.11.28

SHEET 1 OF 1

REV: V0.4